

The enclosed pan-head, self-tapping screws with washers will suit most latch fitting situations. For non-standard or difficult applications, consult your hardware expert to obtain suitable, non-corrosive fixings. *Do not use countersunk-style fixings.* As with all "mechanical" gate latches, LOKK•LATCH is not recommended for use on pool gates and other child safety areas. Use MAGNA•LATCH® magnetic safety gate latches for these applications.

INSTALLATION PROCEDURE

- This latch is designed to be fitted to the inside (house side) of the gate.
- Ensure the gate frame and the latch post are in alignment (with no offset). See dotted line No. 1.
- If installing an External Access Kit, ensure the Striker Body is fitted flush with the outside of the gate frame (see dotted line No. 2).
- Similarly, ensure the main Latch Body is aligned and fitted flush with the outside of the latch post (dotted line No. 3).

1. Determine the approximate height of the latch on the inside of the gate (house side).

2. Locate the Striker Body on the gate so that the bolt side of the moulding aligns with the outside of frame (dotted line No. 2). Hold the Striker Body in position and mark gate through the fixing holes.

3. Remove the Striker Body and drill the holes using a drill bit suitable for your fence material.

4. Secure the Striker Body to the gate using the screws and washers supplied (or use appropriate fixings).

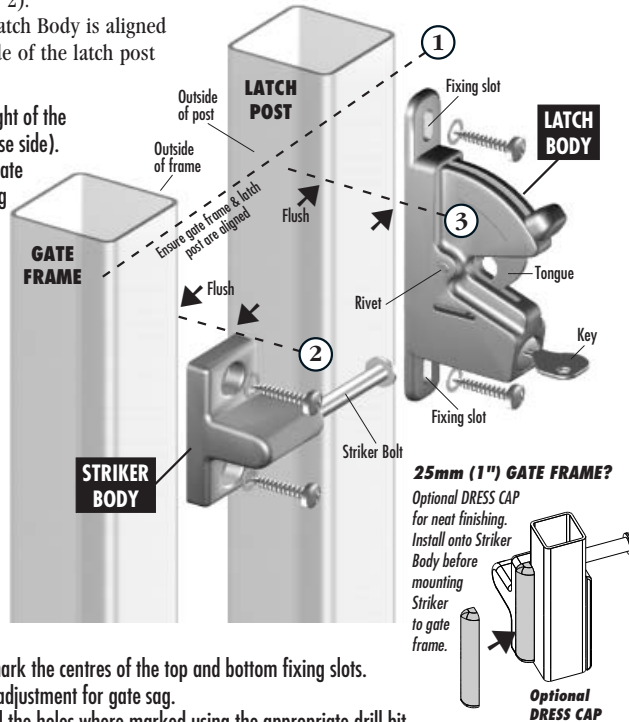
5. Close the gate. Align the main Latch Body on the latch post so that the Striker Bolt will close in the centre of the latch tongue (i.e. align the Striker Bolt with the centre of rivet).

6. Remove the Latch Body and drill the holes where marked using the appropriate drill bit. Secure the Latch Body using the screws and washers supplied; or use fixings and washers suitable to your gate material.

7. Check latching operation to ensure smooth, reliable closure. Your LOKK•LATCH is now ready for use.

MAINTENANCE: REMOVE KEY/S FROM LOCK/S AFTER USE. Do not lubricate any part of this latch. Ensure all screws are tightened firmly and that the Latch Body and/or Access Kit is kept free of dirt, sand and other debris which could impair reliable performance.

WARRANTY & LIMITATION OF LIABILITY: The products are warranted to be free of defects in materials and workmanship to the original purchaser for as long as he/she owns the product. If a defect appears, the original purchaser may return the item, freight prepaid, together with proof of purchase to the company or its approved international agents. The company or agent will, at its discretion, repair or replace the defective item or part without charge to the purchaser. THIS WARRANTY SHALL NOT APPLY WHEN the product has been tampered with, when repairs or attempted repairs have been made by unauthorised persons, where the item has been subjected to misuse, abuse, accident or damage in transit, or where the installer has not followed the instructions set out during installation or operations. No charges will be accepted for unauthorised parts, repairs or services. IN NO EVENT SHALL THE COMPANY BE LIABLE FOR ANY INCIDENTAL OR CONSEQUENTIAL DAMAGES. No warranty is given other than that set out above. No express or implied warranties (including statutory warranties) apply, other than warranties which may not legally be excluded.



25mm (1") GATE FRAME?

Optional DRESS CAP for neat finishing. Install onto Striker Body before mounting Striker to gate frame.

Optional DRESS CAP

Made in Australia

d+d technologies

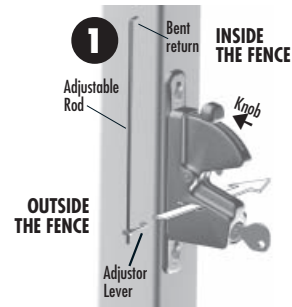
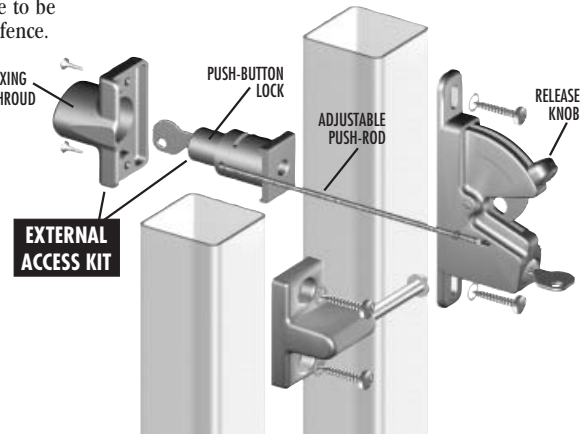
AUSTRALIA: 192 Harbord Rd, Brookvale NSW 2100
USA: 7731 Woodwind Dr, Huntington Beach, CA 92647

LLINSTR0008PA

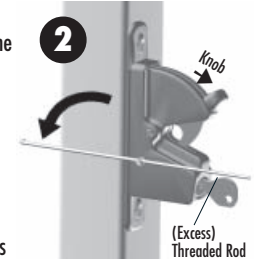
The 'External Access Kit' allows a gate to be opened and locked from *outside* the fence. When installed, it is connected to the main latch (inside the fence) by an adjustable push-rod.

INSTALLATION PROCEDURE

1. Prop gate open. Open latch by sliding the release knob to rear of housing. Take the stainless steel push-rod, and, holding it vertically with adjustable end down, feed the Adjustor Lever through the slot in the side of the Latch Body (as shown by the arrow).



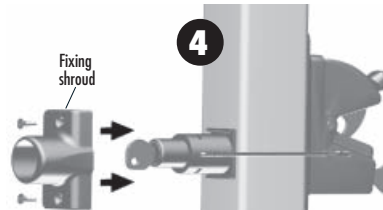
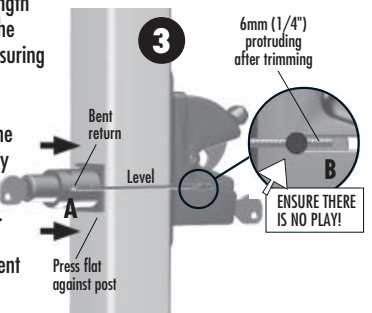
2. Lower the release knob so that it 'encloses' the adjustor lever. Turn the key to lock the knob.
3. Pivot/rotate rod to the outside of the fence (see arrow diagram 2).



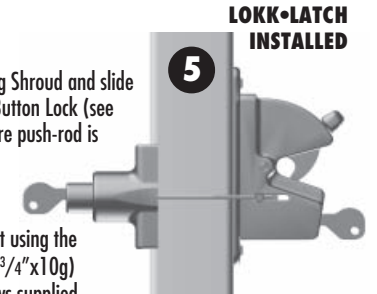
4. In preparation for adjusting the push-rod to the required length, ensure the rod is kept level at all times. Place the Push-Button Lock flat against the fence post, as shown in diagram 3. Keeping the Lock in place, adjust the rod to the correct length by screwing the bent 'return' until it aligns with the hole at the side of the Lock ('A'). It is *very important* the rod is *adjusted fully*; check this by ensuring there is no "play" (looseness) of the rod once adjusted – see inset 'B'.

5. With the correct rod adjustment determined (and marked) remove the entire rod from the Push-Button Lock and the Latch Body and cut off any excess thread length to approximately 6mm (1/4") from the adjustor lever (note diagram 2 again). File off any sharp edges to make smooth.

6. Re-install the push-rod through the Latch Body and then insert the bent return into the hole at the side of the Push-Button Lock (further minor screwing adjustment may be required to ensure there is no slack).



7. Take the Fixing Shroud and slide it over the Push-Button Lock (see left). Again, ensure push-rod is kept level. Drill 'pilot' holes and fasten the Fixing Shroud to the post using the two 19mmx10g (3/4"x10g) countersunk screws supplied.



Made in Australia

d+d technologies

AUSTRALIA: 192 Harbord Rd, Brookvale NSW 2100
USA: 7731 Woodwind Dr, Huntington Beach, CA 92647